



# PARTS CATALOG

Published 2010/2 (Feb.)

0CW10-G60500

# P R E F A C E

1. This parts catalog is the 1st edition of L100N5EC2C1HAWR for WORMS.

Pub.No. : OCW10-G60500

Published : March, 2010

2. Model name

Engine model	Vehicle	Vehicle made by
L100N5EC2C1HAWR	CANOPY GENERATOR SET	WORMS

## Directions for the Parts Catalog.

1. The parts stipulated in this Parts Catalog are not necessarily standard equipped parts.
2. Parts may change without prior notice.
3. The following is an example of the Parts Catalog format.

00CF10-G21601 29. FUEL INJECTION PUMP(W/BOOST)										
REF.	LEV.	PARTS NO.	DESCRIPTION	(A)	(B)	(C)	(D)	(E)	(F)	
1	1	729595-51390	FUEL INJECTION PUMP	1	1	1	1	1	1	1
1-1	1	729595-51391	FUEL INJECTION PUMP	1	1	1	1	1	1	N
		(A=E00185)	(B=E00200)							
3	2	26022-060162	SCREW M 6X 16	9	9	9	9	9	9	
3-1	2	26022-060162	SCREW M 6X 16	4	4	4	4	4	4	K
		(A=E00156)	(B=E00156)	(C=E00156)	(D=E00156)	(E=E00156)				
4	2	129470-51040	CAMSHAFT	1	1	1	1	1	1	
5	2	122710-51050	BEARING, ROLLER	2	2	2	2	2	2	
6	2	129470-51060	RETAINER	1	1	1	1	1	1	

Remarks  
 (1) BOOST COMPENSATOR TYPE: OPTIONAL  
 PART, TO E00155,(4JH-DT, 4JH-DTZ

### ① Ref. No.

The Ref. No. listed may not be in accordance with the illustration Ref. No.  
 (Ex.) Illustration No. List Ref No.

For interchangeable symbols N, R and K, illustrations for new parts may be abbreviated.  
 1 (Before change) → 1-1 (After change)

### ② Lev. (Level)

Level indication

The numbers below indicate the level of relativity towards the main part.

- 1 ----- Main parts (Assembly parts)
  - 2 ----- Sub component included in " 1 "
  - 3 ----- Sub component included in " 2 "
- Note) Parts that are not for sale are partially illustrated but not listed.

### ③ Interchangeability Mark

When a part change takes place, one of the following interchangeability symbols is indicated beside the part.

Symbol	Interchangeability	Contents note
N	Old ← Yes → New No	New Part is interchangeable for Old Part but Old Part is not interchangeable for New Part.
Q	Old ← Yes → New No	New Part is not interchangeable for Old Part but Old Part is interchangeable for New Part.
R	Old ← Yes → New Yes	New/ Old Parts are both interchangeable.
S	Old ← No → New No	New/ Old Parts are both not interchangeable.
W		Part newly added.
Z		Part discontinued.
F		Not interchangeable by a single part but interchangeable together with related parts.
K		Changes only for used parts quantities.

### ④ Effective Machine No.

When a part changes, the effective Machine No. will be indicated in the (A)-(F) column.

Product Symbol	Product No.	Product Symbol	Product No.
C	Clutch No. Compressor No.	F	Machine No. (Agricultural Equip.)
D	Drive No.	M	Machine No.
E	Engine No.	Note 1)	Date

Note 1) A date may follow the symbol. (Ex.) 1996.01

Note 2) " XXX " are for parts that could not be predicted or for engine models that could not be identified.  
 Note 3) (A=E00185) is the E (Engine Serial Number) for the column (A) model (in this case 4JH-DT) after the parts design change.

### ⑤ Remarks Mark

Figures or alphabets (symbols) are entered in the remarks column.

The comments (remarks) on parts that are indicated at the bottom of the illustration are the same symbols as those stated above.

# CONTENTS

MODEL : L100N5EC2C1HAWR

PC NO : 0CW10-G60500

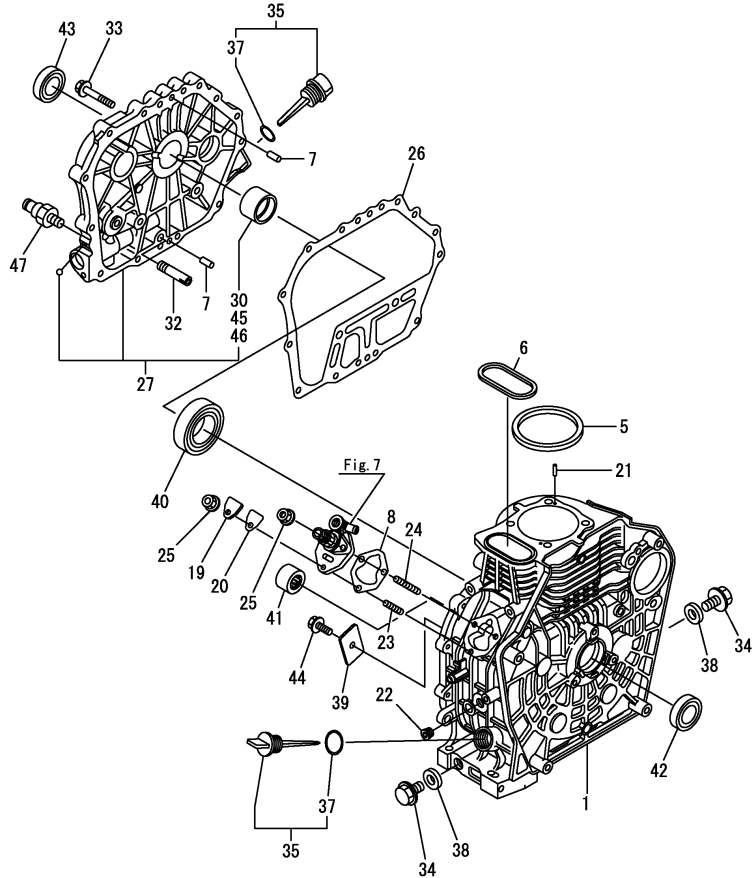
Fig.No. GROUP NAME

L100N5EC2C1HAWR

1. CYLINDER BLOCK
2. CYLINDER HEAD & BONNET
3. AIR CLEANER
4. CRANKSHAFT, PISTON & CAMSHAFT
5. LUB.OIL PUMP & GOVERNOR
6. COOLING DEVICE
7. F.I.PUMP & F.I.VALVE
8. STARTING MOTOR & DYNAMO
9. TOOL, LABEL & GASKET SET

Fig.No. GROUP NAME

Fig.1. CYLINDER BLOCK



(A)=L100N5EC2C1HAWR

(B)=

(C)=

(D)=

(E)=

(F)=

REF.	LEV.	PARTS NO.	DESCRIPTION	QTY						I	R
				(A)	(B)	(C)	(D)	(E)	(F)		
1	1	114310-01020	BLOCK ASSY, CYLINDER	1							
5	1	114695-01341	GASKET, HEAD 0.5	1							
6	1	114699-01380	O-RING	1							
7	1	114299-01600	PIN, 8X12	2							
8	1	114299-01800	SHIM SET	1							
19	1	114299-01830	COVER,(FO PUMP	1							
20	1	114250-01841	GASKET	1							
21	1	22312-040080	PARALLEL PIN, M4X8	2							
22	1	23875-020000	PLUG PT1/4,STEEL	1							
23	1	26226-060182	STUD M 6X 18 PLATED	1							
24	1	26226-060222	STUD M 6X 22 PLATED	2							
25	1	26366-060002	NUT M 6	3							
26	1	114699-01410	GASKET, CRANK CASE	1							
27	1	114310-01450	COVER(D, CRANK CASE	1							
30	2	114650-02100	BEARING, MAIN	1							1
32	1	114299-35150	PIPE, L.O. INLET	1							
33	1	26106-080352	BOLT M 8X 35 PLATED	16							
34	1	114299-01690	PLUG M16	2							
35	1	114699-01760	CAP ASSY, LO SUPPLY	2							
37	2	114299-01950	O-RING	2							
38	1	22190-160002	WASHER, 16	2							
39	1	114299-02030	RETAINER, BEARING	1							
40	1	114650-02150	BALL BEARING	1							
41	1	24162-152220	NEEDLE, 152220	1							
42	1	24423-355008	SEAL, OIL	1							
43	1	24423-355008	SEAL, OIL	1							
44	1	26106-080122	BOLT M 8X 12 PLATED	1							
45	1	114650-02200	MAIN BEARING US=0.25	1							2
46	1	114650-02210	MAIN BEARING US=0.50	1							3
47	1	183250-39450	SWITCH, OIL PRESSURE	1							

Remarks

(1) Repair parts.

(2) Under sized(U.S.=0.25)parts.

(3) Under sized(U.S.=0.50)parts.

Fig.2. CYLINDER HEAD & BONNET

(A)=L100N5EC2C1HAWR

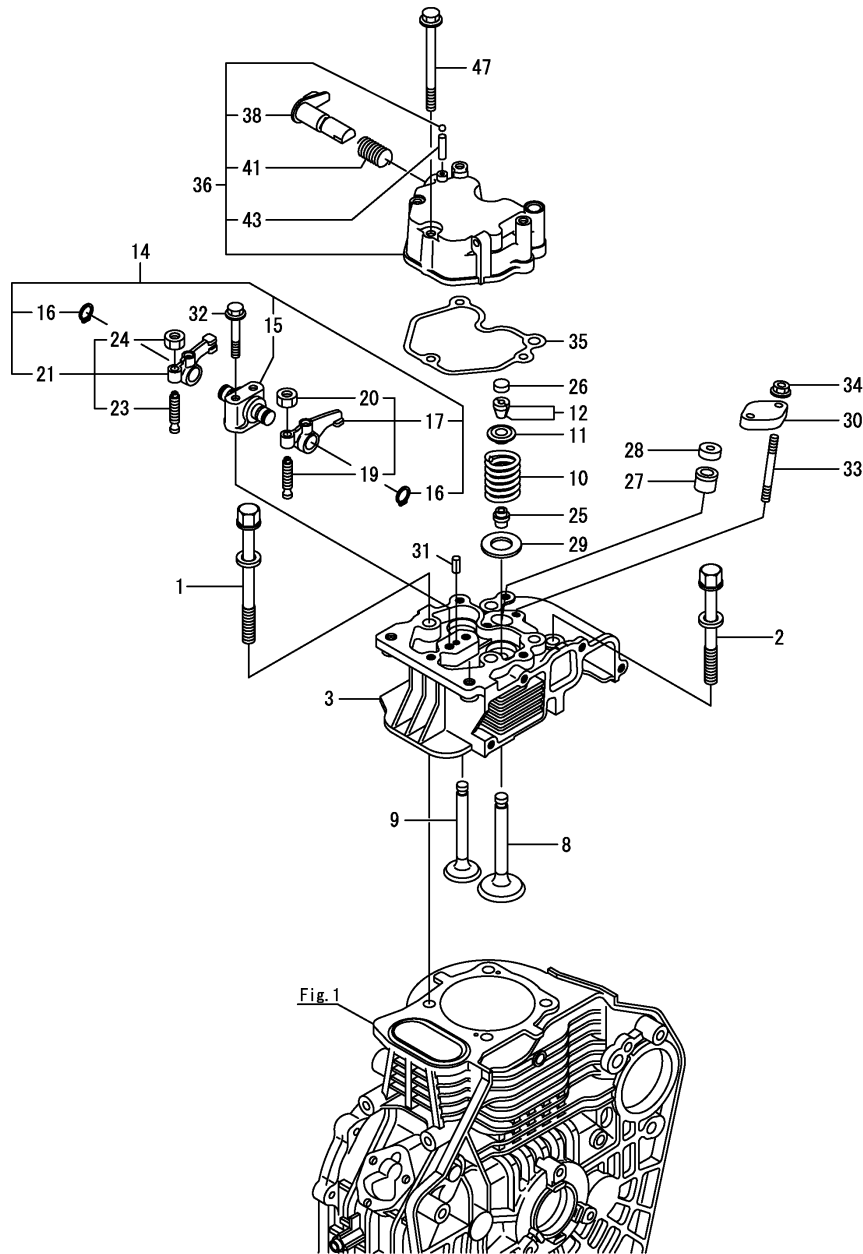
(B)=

(C)=

(D)=

(E)=

(F)=



REF.	LEV.	PARTS NO.	DESCRIPTION	QTY						I	R
				(A)	(B)	(C)	(D)	(E)	(F)		
1	1	114310-01200	BOLT, CYL.HEAD A	2							
2	1	114310-01210	BOLT, CYL.HEAD B	2							
3	1	114320-11020	HEAD ASSY, CYLINDER	1							
8	1	114310-11100	VALVE, INTAKE	1							
9	1	114310-11110	VALVE, EXHAUST	1							
10	1	114310-11120	SPRING, VALVE	2							
11	1	114310-11180	RETAINER, SPRING	2							
12	1	114310-11930	COTTER ASSY	2							
14	1	114310-11250	SUPPORT ASSY, ROCKER	1							
15	2	114310-11260	SUPPORT, ROCKER ARM	1							
16	2	114310-11280	C TYPE RETAINING RIN	2							
17	2	114310-11650	ARM ASSY, INTAKE	1							
19	3	114299-11240	SCREW, ADJUSTING	1							
20	3	26856-060002	NUT, M6	1							
21	2	114310-11660	ARM ASSY, EXHAUST	1							
23	3	114299-11240	SCREW, ADJUSTING	1							
24	3	26856-060002	NUT, M6	1							
25	1	114650-11340	SEAL, VALVE STEM	2							
26	1	104211-11370	CAP, VALVE	2							
27	1	114240-11450	PROTECTOR, NOZZLE	1							
28	1	114240-11550	SEAT, NOZZLE	1							
29	1	114699-11600	WASHER	2							
30	1	114210-11901	RETAINER, NOZZLE	1							
31	1	22351-040008	SPRING PIN 4X 8	1							
32	1	26106-080502	BOLT M 8X 50 PLATED	2							
33	1	26226-060552	STUD M6X 55 PLATED	2							
34	1	26366-060002	NUT M 6	2							
35	1	114310-11310	GASKET, BONNET	1							
36	1	114310-11950	BONNET ASSY, HEAD	1							
38	2	114210-03590	DECOMPRESSION ASSY	1							
41	2	114299-03640	SPRING, DECOMP.	1							
43	2	22312-030160	PARALLEL PIN, M3X16	1							
47	1	26106-060652	BOLT M 6X 65 PLATED	3							

Fig.3. AIR CLEANER

(A)=L100N5EC2C1HAWR

(B)=

(C)=

(D)=

(E)=

(F)=

REF.	LEV.	PARTS NO.	DESCRIPTION	QTY						I	R
				(A)	(B)	(C)	(D)	(E)	(F)		
1	1	114310-12050	MANIFOLD, INTAKE	1							
2	1	114310-12210	GASKET, AIR CLEANER	1							
3	1	114299-12300	U-NUT	2							
4	1	26226-060142	STUD M 6X 14 PLATED	2							
5	1	114699-12210	GASKET, CLEANER	1							
6	1	114299-12300	U-NUT	3							
7	1	783671-12560	CLEANER ASSY, AIR	1							
9	2	183671-12520	COVER ASSY, CLEANER	1							
10	2	114980-12530	CASE ASSY, CLEANER	1							
11	2	114252-12560	WASHER M 8, SEAL	1							
12	2	114650-12590	ELEMENT W/PRE-FILTER	1							
14	3	114650-12550	PRE-FILTER	1							
15	2	114252-12550	WING-NUT, M 8	1							
16	1	114310-45360	STUD BOLT, TOP COVER	1							
17	1	26106-060402	BOLT M 6X 40 PLATED	1							
18	1	26226-060352	STUD M 6X 35 PLATED	2							
19	1	114310-13200	GASKET, MUFFLER	1							
20	1	26216-080182	STUD M 8X 18 PLATED	2							
21	1	26366-080002	NUT M 8	2							
22	1	11431C-13550	MUFFLER ASSY	1							
23	2	11431C-13560	MUFFLER	1							
24	2	11431C-13700	COVER, MUFFLER A	1							
25	2	11431C-13710	COVER, MUFFLER B	2							
26	2	11431C-13720	BOLT, M6X6 FLANGE	10							
27	1	26106-080202	BOLT M 8X 20 PLATED	2							

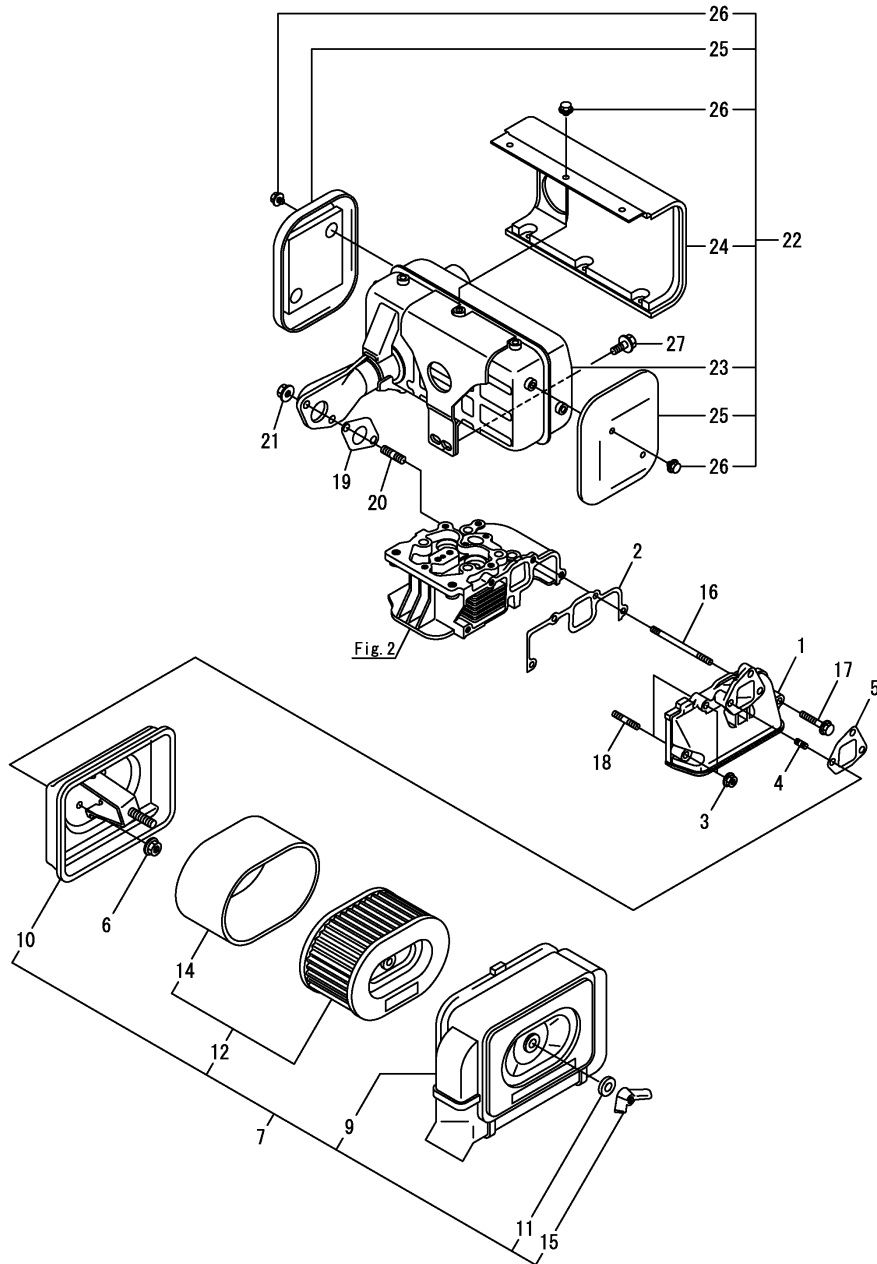
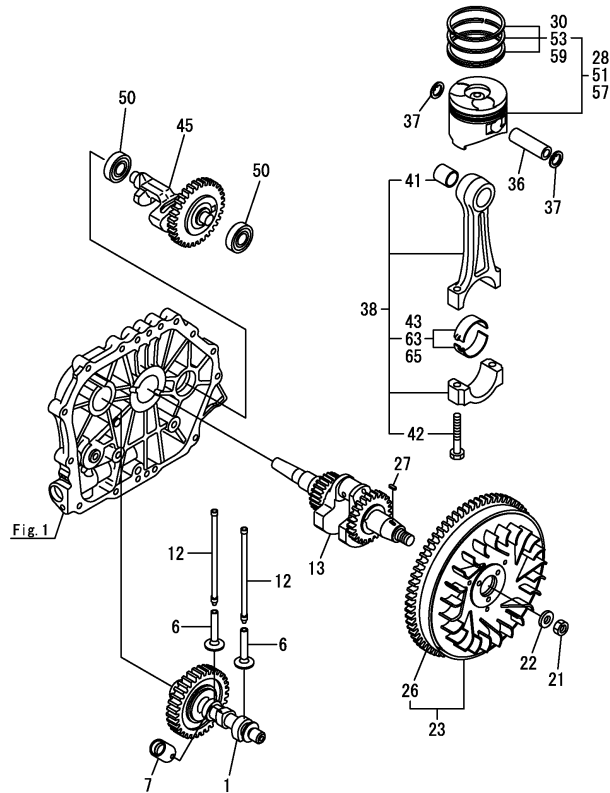


Fig.4. CRANKSHAFT, PISTON & CAMSHAFT



0CW10-G60500 4. CRANKSHAFT, PISTON & CAMSHAFT

(A)=L100N5EC2C1HAWR

(B)=

(C)=

(D)=

(E)=

(F)=

REF.	LEV.	PARTS NO.	DESCRIPTION	QTY						I	R
				(A)	(B)	(C)	(D)	(E)	(F)		
1	1	714320-14580	CAMSHAFT ASSY	1							
6	1	114310-14200	TAPPET		2						
7	1	114210-14300	TAPPET ASSY, ROLLER		1						
12	1	114310-14400	ROD ASSY, PUSH		2						
13	1	11431C-21740	CRANKSHAFT(E-DG ASSY		1						
21	1	114699-21220	NUT		1						
22	1	114699-21550	WASHER, FLYWHEEL		1						
23	1	114699-21600	FLYWHEEL ASSY, DE		1						
26	2	114699-21630	RING, GEAR		1						
27	1	22512-050140	KEY, 5X14		1						
28	1	714320-22720	PISTON W/RINGS (D		1						
30	2	714310-22500	RING SET, PISTON		1						
36	1	114699-22300	PIN, PISTON		1						
37	1	129792-22400	CIRCLIP, 23		2						
38	1	71431C-23010	ROD ASSY, CONNECTING		1						
41	2	124060-23100	BUSH, PISTON PIN		1						
42	2	119810-23200	BOLT, CONNECTING ROD		2						
43	2	714650-23600	BEARING, CRANKPIN		1						
45	1	714310-28510	SHAFT ASSY, BALANCER		1						
50	1	24101-063040	BALL BEARING		2						
51	1	714320-22620	PISTON W/RING .25OS		1						1
53	2	714310-22540	RING SET O.S=0.25		1						1
57	1	714320-22580	PISTON W/RING .50OS		1						2
59	2	714310-22550	RING SET O.S=0.50		1						2
63	1	714650-23610	BEARING,PIN(U.S=0.25		1						3
65	1	714650-23620	BEARING,PIN(U.S=0.50		1						4

Remarks

- (1) Over sized(U.S.=0.25)parts.
- (2) Over sized(U.S.=0.50)parts.
- (3) Under sized(U.S.=0.25)parts.
- (4) Under sized(U.S.=0.50)parts.



Fig.5. LUB.OIL PUMP & GOVERNOR

(A)=L100N5EC2C1HAWR

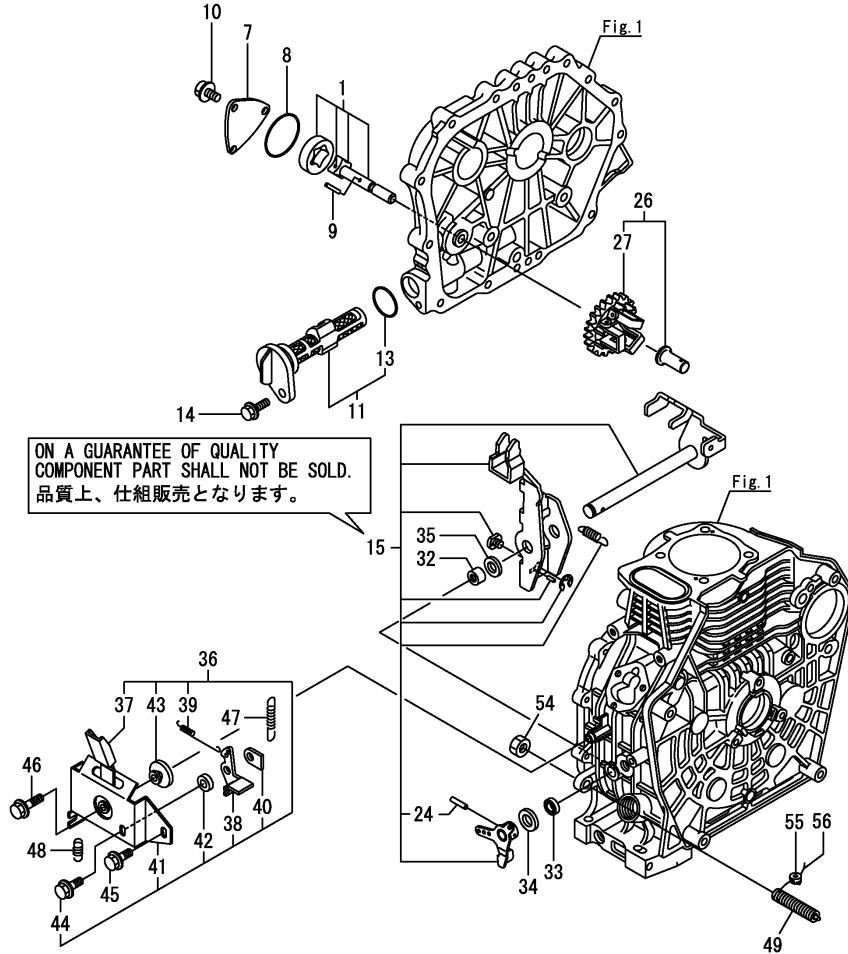
(B)=

(C)=

(D)=

(E)=

(F)=



REF.	LEV.	PARTS NO.	DESCRIPTION	QTY						I	R
				(A)	(B)	(C)	(D)	(E)	(F)		
1	1	114650-32010	PUMP ASSY, LUB.OIL	1							
7	1	114299-32070	COVER, LUB. OIL PUMP	1							
8	1	114299-32570	O-RING, COVER	1							
9	1	22312-030160	PARALLEL PIN, M3X16	1							
10	1	26106-060122	BOLT M 6X 12 PLATED	3							
11	1	114299-35110	FILTER CMP, LUB.OIL	1							
13	2	24341-000224	O-RING 1A S-22.4	1							
14	1	26106-060162	BOLT M 6X 16 PLATED	1							
15	1	114311-61500	LEVER ASSY, GOVERNOR	1							
24	2	22322-030200	TAPER PIN, 3X20	1							
26	1	714210-61701	GOVERNOR ASSY	1							
27	2	114210-61290	WEIGHT ASSY,GOVERNOR	1							
32	1	114770-61520	BEARING,NEEDLE	2							
33	1	114299-61600	SEAL, OIL	1							
34	1	114770-61610	WASHER, THRUST	1							
35	1	114299-61190	WASHER, GOVERNOR	1							
36	1	114210-66510	BRACKET, REGULATOR	1							
37	2	114210-66300	HANDLE	1							
38	2	183250-66321	LEVER, LOCK	1							
39	2	183250-66331	SPRING, LEVER	1							
40	2	183250-66341	NUT	1							
41	2	114210-66350	BRACKET	1							
42	2	183250-66361	COLLAR, LEVER	1							
43	2	183250-66371	COLLAR	1							
44	2	26106-060162	BOLT M 6X 16 PLATED	1							
45	1	26106-060142	BOLT M 6X 14 PLATED	1							
46	1	26106-060202	BOLT M 6X 20 PLATED	1							
47	1	114320-66020	SPRING, REGULATOR	1							
48	1	114299-66200	SPRING, RETURN	1							
49	1	114211-66600	LIMITER ASSY, FUEL	1							
54	1	26776-100002	LOCK NUT M10 PLATED	1							
55	1	114780-61090	TIN	1							
56	1	22451-060000	WIRE, 0.6	1							

Fig.6. COOLING DEVICE

(A)=L100N5EC2C1HAWR

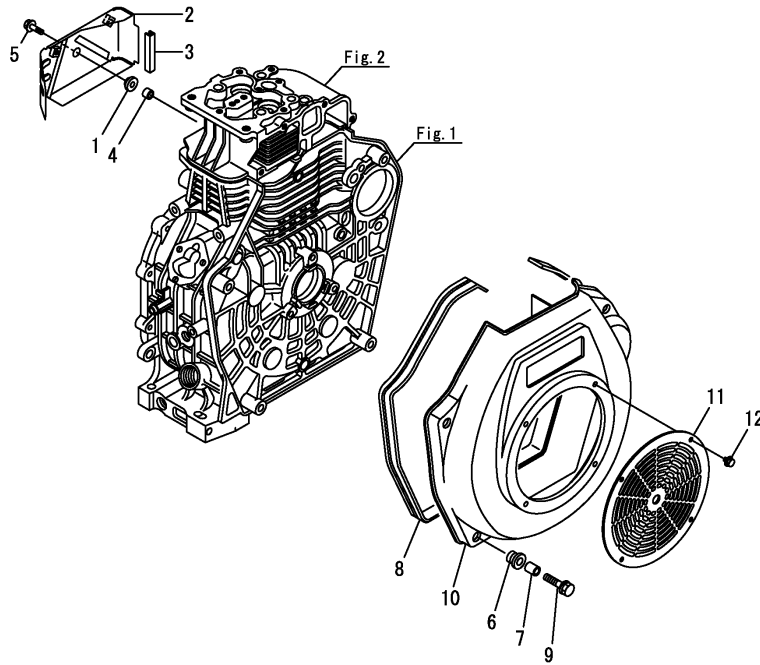
(B)=

(C)=

(D)=

(E)=

(F)=



REF.	LEV.	PARTS NO.	DESCRIPTION	Q'TY						I	R
				(A)	(B)	(C)	(D)	(E)	(F)		
1	1	114299-45220	GROMMET, TANK	1							
2	1	114310-45260	COVER B, SIDE (13)	1							
3	1	114399-45320	RUBBER, SEAL	1							
4	1	114399-45340	COLLAR, CYL. COVER	1							
5	1	26106-060202	BOLT M 6X 20 PLATED	1							
6	1	114299-45301	RUBBER, CUSHION	4							
7	1	114299-45310	COLLAR, FAN CASE	4							
8	1	114699-45331	SEAL, FAN CASE	1							
9	1	114299-45350	BOLT, FAN CASE	4							
10	1	114310-45100	FAN CASE(SILVER)(17)	1							
11	1	114699-45180	COVER, DUST	1							
12	1	26106-060082	BOLT M 6X 8 PLATED	4							

Fig.7. F.I.PUMP & F.I.VALVE

(A)=L100N5EC2C1HAWR

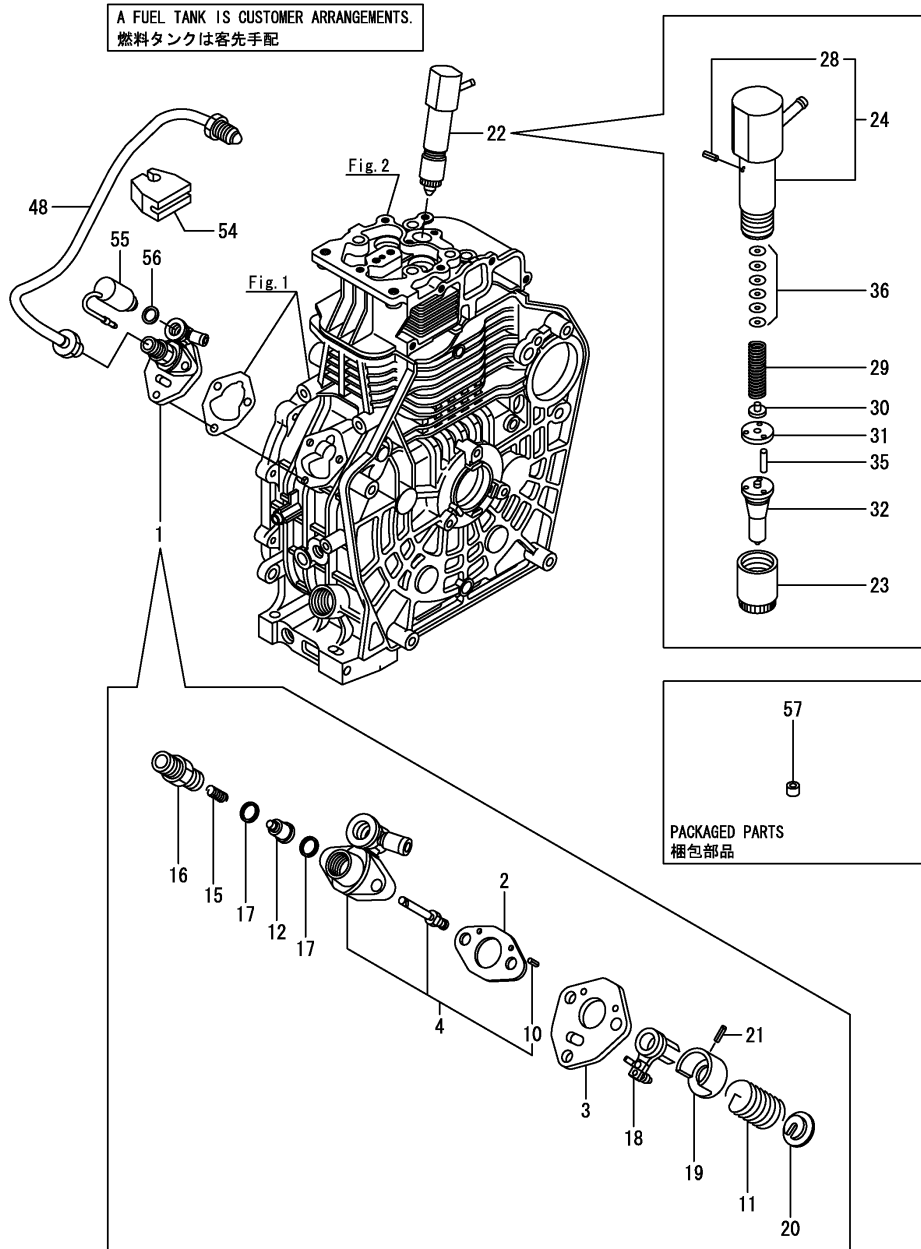
(B)=

(C)=

(D)=

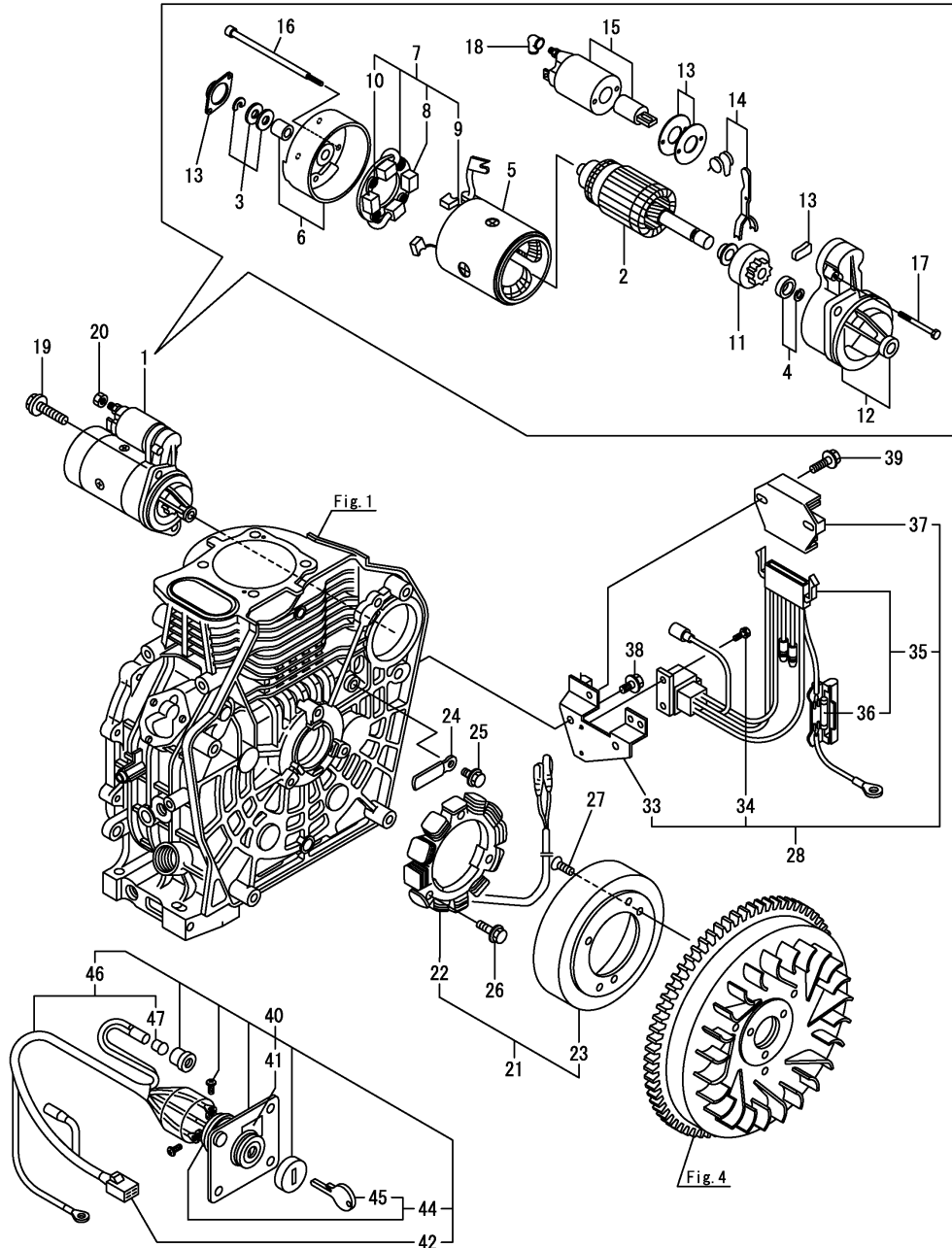
(E)=

(F)=



REF.	LEV.	PARTS NO.	DESCRIPTION	QTY						I	R
				(A)	(B)	(C)	(D)	(E)	(F)		
1	1	714339-51310	F.I.PUMP ASSY	1							
2	2	105546-51020	GASKET	1							
3	2	114250-51080	PLATE	1							
4	2	114339-51200	BODY ASSY, PUMP	1							
10	4	22351-020006	SPRING PIN 2X 6	2							
11	2	114250-51160	SPRING, PLUNGER	1							
12	2	114650-51300	VALVE ASSY, DELIVERY	1							
15	2	105546-51330	SPRING, DELIVERY	1							
16	2	114250-51340	HOLDER, DELIVERY	1							
17	2	124550-51350	GASKET, DELIVERY	2							
18	2	114250-51600	LEVER ASSY, CONTROL	1							
19	2	114250-51640	SEAT, SPRING A	1							
20	2	114250-51650	SEAT, SPRING B	1							
21	2	22351-030008	SPRING PIN 3X 8	1							
22	1	714339-53200	FUEL INJECTOR	1							
23	2	114250-53080	NUT, CASE	1							
24	2	114339-53100	HOLDER ASSY, NOZZLE	1							
28	3	22351-025005	SPRING PIN 2.5AX 6	1							
29	2	114250-53120	SPRING, NOZZLE	1							
30	2	114250-53130	SEAT, SPRING	1							
31	2	114250-53140	PLATE, STOP	1							
32	2	114339-53200	NOZZLE ASSY	1							
35	2	114250-53210	PIN	2							
36	2	114250-53400	SHIM SET	1							
48	1	114310-59800	PIPE ASSY, INJECTION	1							
54	1	114699-59850	SUPPORT, PIPE	1							
55	1	114110-76900	VALVE ASSY, F/O CUT	1							
56	1	114299-83020	GASKET, 10X1.2	1							
57	1	114299-59850	ORIFICE	1							

Fig.8. STARTING MOTOR & DYNAMO



(A)=L100N5EC2C1HAWR

(B)=

(C)=

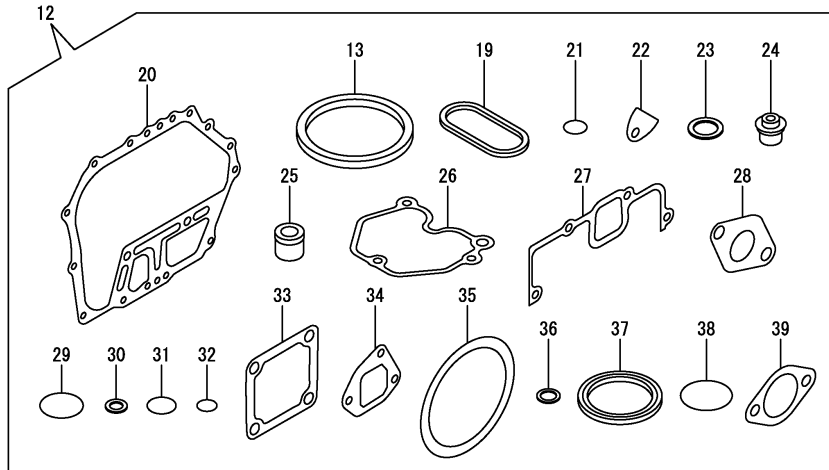
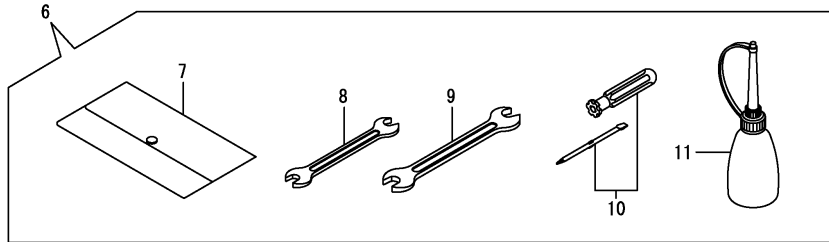
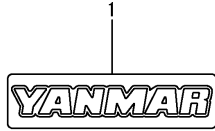
(D)=

(E)=

(F)=

REF.	LEV.	PARTS NO.	DESCRIPTION	QTY						I	R
				(A)	(B)	(C)	(D)	(E)	(F)		
1	1	114362-77011	STARTER(HITACHI 12V	1							
2	2	114381-77110	ARMATURE	1							
3	2	X2114811000	WASHER KIT, THRUST	1							
4	2	X2114715500	STOPPER SET, PINION	1							
5	2	114381-77130	COIL ASSY, FIELD	1							
6	2	114381-77140	COVER, REAR	1							
7	2	114371-77160	HOLDER ASSY, BRUSH	1							
8	3	114371-79040	BRUSH (-)	2							
9	3	114371-79050	BRUSH (+)	1							
10	3	114371-79060	SPRING, BRUSH	4							
11	2	X211485016	PINION ASSY	1							
12	2	114381-77151	HOUSING ASSY, GEAR	1							
13	2	114371-77170	COVER KIT, DUST	1							
14	2	114371-77180	SHIFT LEVER KIT	1							
15	2	124298-77020	SWITCH, MAGNET	1							
16	2	124195-77770	THROUGH BOLT	2							
17	2	114371-79070	BOLT M 6X 37	2							
18	2	X2114274200	COVER, TERMINAL	1							
19	1	26106-100302	BOLT M10X 30 PLATED	2							
20	1	26716-080002	NUT M 8	1							
21	1	114399-78260	DYNAMO ASSY	1							
22	2	114399-78730	STATOR ASSY	1							
23	2	114399-78740	WHEEL, DYNAMO	1							
24	1	160710-78710	CLAMP, CORD	1							
25	1	26106-060122	BOLT M 6X 12 PLATED	1							
26	1	26106-060202	BOLT M 6X 20 PLATED	3							
27	1	26577-060142	SCREW M 6X 14	3							
28	1	114399-77560	REG. & HARNESS ASSY	1							
33	3	114399-77400	BRACKET, HARNESS	1							
34	3	26023-040102	SCREW, M4X10	2							
35	3	114399-77540	HARNESS, WIRE	1							
36	4	29411-200000	FUSE (20A),CARTRIDGE	2							
37	2	114399-77710	REGULATOR	1							
38	1	26106-060122	BOLT M 6X 12 PLATED	2							
39	1	26106-060202	BOLT M 6X 20 PLATED	2							
40	1	114351-77500	PANEL ASSY,KEYSWITCH	1							
41	2	105198-07120	LABEL, START SWITCH	1							
42	2	114351-77520	JOINT	1							
44	2	106100-77620	SWITCH, KEY	1							
45	3	106100-77630	KEY, STARTER	1							
46	2	114351-77700	HARNESS, WIRE	1							
47	3	29220-083200	BULB (12V/3.4W)	1							

Fig.9. TOOL, LABEL & GASKET SET



OCW10-G60500 9. TOOL, LABEL & GASKET SET

(A)=L100N5EC2C1HAWR

(B)=

(C)=

(D)=

(E)=

(F)=

REF.	LEV.	PARTS NO.	DESCRIPTION	QTY						I	R
				(A)	(B)	(C)	(D)	(E)	(F)		
1	1	114299-07110	LABEL, YANMAR	1							
6	1	114299-92590	TOOL ASSY	1							
7	2	114299-92600	TOOL BAG	1							
8	2	114299-92710	WRENCH	1							
9	2	114299-92720	WRENCH	1							
10	2	114299-92730	DRIVER	1							
11	2	114299-92740	FITTING, FUEL	1							
12	1	114320-92600	GASKET SET(NON-ASB.)	1							1
13	2	114695-01330	GASKET ASSY,CYL.HEAD	1							
19	2	114699-01380	O-RING	1							
20	2	114699-01410	GASKET, CRANK CASE	1							
21	2	114299-01950	O-RING	2							
22	2	114250-01841	GASKET	1							
23	2	22190-160002	WASHER, 16	2							
24	2	114650-11340	SEAL, VALVE STEM	2							
25	2	114771-11461	GASKET, NOZZLE	1							
26	2	114310-11310	GASKET, BONNET	1							
27	2	114310-12210	GASKET, AIR CLEANER	1							
28	2	114310-13200	GASKET, MUFFLER	1							
29	2	114299-32570	O-RING, COVER	1							
30	2	23414-080000	GASKET 8, ROUND	1							
31	2	24341-000224	O-RING 1A S-22.4	1							
32	2	24341-000150	O-RING 1A S-15.0	2							
33	2	129100-77510	GASKET, AIR HEATER	3							
34	2	114699-12210	GASKET, CLEANER	2							
35	2	114399-21980	GASKET	1							
36	2	23414-120000	GASKET 12, ROUND	1							
37	2	160393-55050	GASKET, TANK CAP	4							
38	2	24311-000400	O-RING 1A P-40.0	1							
39	2	183671-13211	GASKET, EXH.PIPE	1							

Remarks

(1) Optional parts.

N:Old  $\xrightarrow{\text{Yes}}$  New, Q:Old  $\xrightarrow{\text{No}}$  New, R:Old  $\xrightarrow{\text{Yes}}$  New, S:Old  $\xrightarrow{\text{No}}$  New, W:Add, Z:Discontinued, F:Interchangeable by set, K:Q'ty Change

## Part Number Index

All parts are stipulated in the order of part numbers.

(Depending on the area in which the part is used.)

This index will display the location of the part according to each part number.

## PARTS No. INDEX

PARTS No.	Fig.	Ref.No.
104211-11370	2	26
105198-07120	8	41
105546-51020	7	2
105546-51330	7	15
106100-77620	8	44
106100-77630	8	45
114110-76900	7	55
114210-03590	2	38
114210-11901	2	30
114210-14300	4	7
114210-61290	5	27
114210-66300	5	37
114210-66350	5	41
114210-66510	5	36
114211-66600	5	49
114240-11450	2	27
114240-11550	2	28
114250-01841	1	20
	9	22
114250-51080	7	3
114250-51160	7	11
114250-51340	7	16
114250-51600	7	18
114250-51640	7	19
114250-51650	7	20
114250-53080	7	23
114250-53120	7	29
114250-53130	7	30
114250-53140	7	31
114250-53210	7	35
114250-53400	7	36
114252-12550	3	15
114252-12560	3	11
114299-01600	1	7
114299-01690	1	34
114299-01800	1	8
114299-01830	1	19
114299-01950	1	37
	9	21
114299-02030	1	39
114299-03640	2	41
114299-07110	9	1
114299-11240	2	19
		23
114299-12300	3	3
		6
114299-32070	5	7
114299-32570	5	8
	9	29
114299-35110	5	11

PARTS No.	Fig.	Ref.No.
114299-35150	1	32
114299-45220	6	1
114299-45301	6	6
114299-45310	6	7
114299-45350	6	9
114299-59850	7	57
114299-61190	5	35
114299-61600	5	33
114299-66200	5	48
114299-83020	7	56
114299-92590	9	6
114299-92600	9	7
114299-92710	9	8
114299-92720	9	9
114299-92730	9	10
114299-92740	9	11
114310-01020	1	1
114310-01200	2	1
114310-01210	2	2
114310-01450	1	27
114310-11100	2	8
114310-11110	2	9
114310-11120	2	10
114310-11180	2	11
114310-11250	2	14
114310-11260	2	15
114310-11280	2	16
114310-11310	2	35
	9	26
114310-11650	2	17
114310-11660	2	21
114310-11930	2	12
114310-11950	2	36
114310-12050	3	1
114310-12210	3	2
	9	27
114310-13200	3	19
	9	28
114310-14200	4	6
114310-14400	4	12
114310-45100	6	10
114310-45260	6	2
114310-45360	3	16
114310-59800	7	48
114311-61500	5	15
11431C-13550	3	22
11431C-13560	3	23
11431C-13700	3	24
11431C-13710	3	25
11431C-13720	3	26

PARTS No.	Fig.	Ref.No.
11431C-21740	4	13
114320-11020	2	3
114320-66020	5	47
114320-92600	9	12
114339-51200	7	4
114339-53100	7	24
114339-53200	7	32
114351-77500	8	40
114351-77520	8	42
114351-77700	8	46
114362-77011	8	1
114371-77160	8	7
114371-77170	8	13
114371-77180	8	14
114371-79040	8	8
114371-79050	8	9
114371-79060	8	10
114371-79070	8	17
114381-77110	8	2
114381-77130	8	5
114381-77140	8	6
114381-77151	8	12
114399-21980	9	35
114399-45320	6	3
114399-45340	6	4
114399-77400	8	33
114399-77540	8	35
114399-77560	8	28
114399-77710	8	37
114399-78260	8	21
114399-78730	8	22
114399-78740	8	23
114650-02100	1	30
114650-02150	1	40
114650-02200	1	45
114650-02210	1	46
114650-11340	2	25
	9	24
114650-12550	3	14
114650-12590	3	12
114650-32010	5	1
114650-51300	7	12
114695-01330	9	13
114695-01341	1	5
114699-01380	1	6
	9	19
114699-01410	1	26
	9	20
114699-01760	1	35
114699-11600	2	29

PARTS No.	Fig.	Ref.No.
114699-12210	3	5
	9	34
114699-21220	4	21
114699-21550	4	22
114699-21600	4	23
114699-21630	4	26
114699-22300	4	36
114699-45180	6	11
114699-45331	6	8
114699-59850	7	54
114770-61520	5	32
114770-61610	5	34
114771-11461	9	25
114780-61090	5	55
114980-12530	3	10
119810-23200	4	42
124060-23100	4	41
124195-77770	8	16
124298-77020	8	15
124550-51350	7	17
129100-77510	9	33
129792-22400	4	37
160393-55050	9	37
160710-78710	8	24
183250-39450	1	47
183250-66321	5	38
183250-66331	5	39
183250-66341	5	40
183250-66361	5	42
183250-66371	5	43
183671-12520	3	9
183671-13211	9	39
714210-61701	5	26
714310-22500	4	30
714310-22540	4	53
714310-22550	4	59
714310-28510	4	45
71431C-23010	4	38
714320-14580	4	1
714320-22580	4	57
714320-22620	4	51
714320-22720	4	28
714339-51310	7	1
714339-53200	7	22
714650-23600	4	43
714650-23610	4	63
714650-23620	4	65
783671-12560	3	7
X2114274200	8	18
X2114715500	8	4

MODEL : L100N5EC2C1HAWR  
PC NO : 0CW10-G60500

## PARTS No. INDEX

PARTS No.	Fig.	Ref.No.
X2114811000	8	3
X211485016	8	11

PARTS No.	Fig.	Ref.No.
-----------	------	---------

PARTS No.	Fig.	Ref.No.
-----------	------	---------

PARTS No.	Fig.	Ref.No.
-----------	------	---------





**YANMAR CO., LTD.**